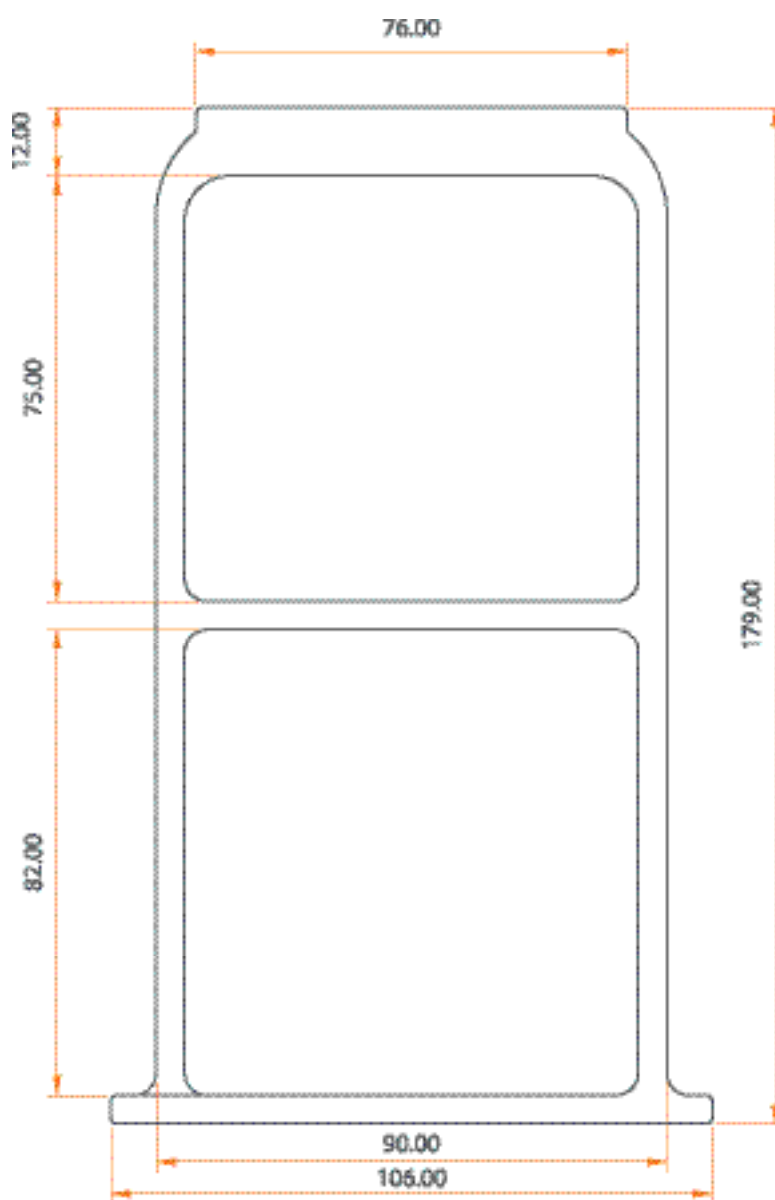


transport sections

Scale
shown at 75%
actual size

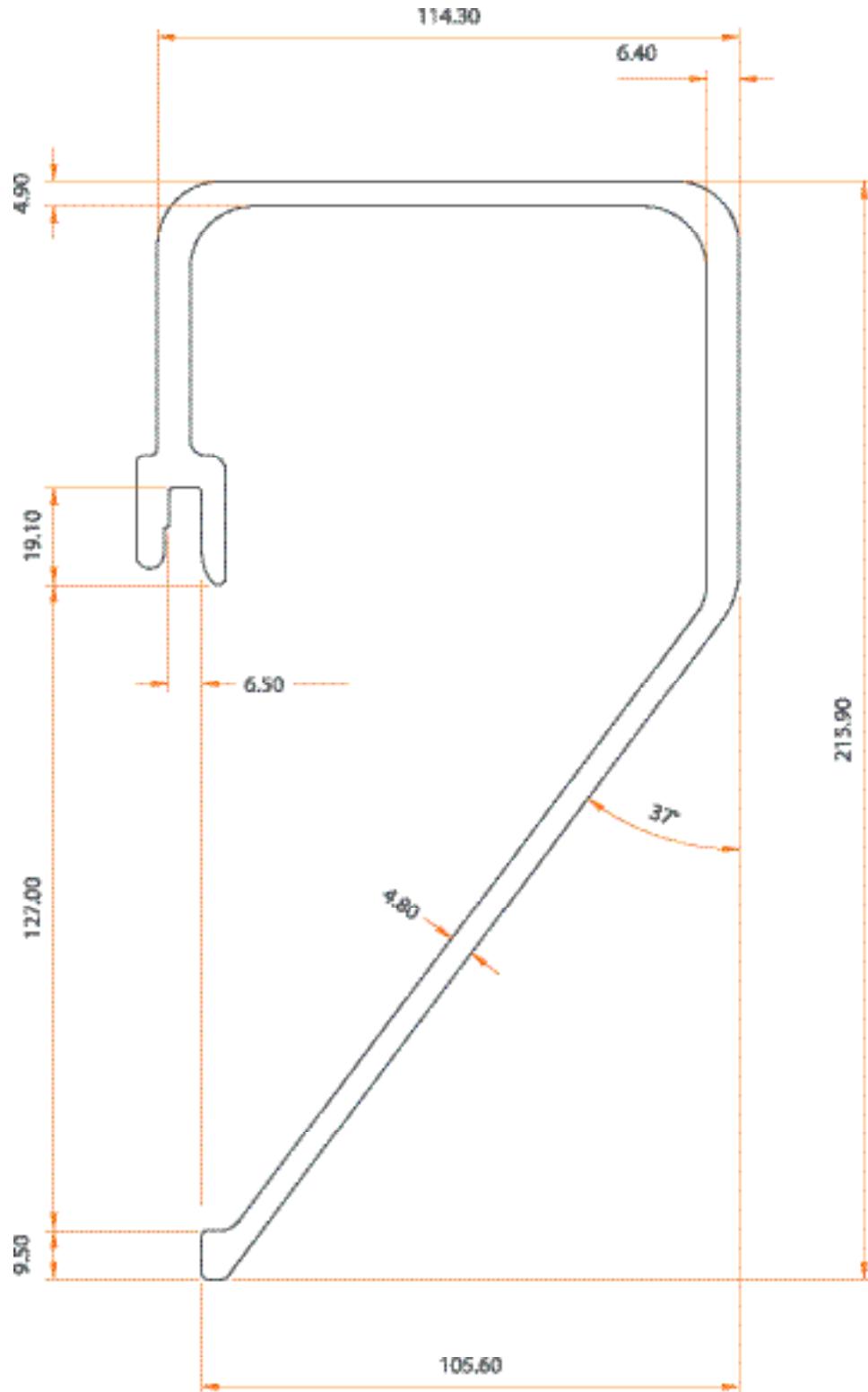
ORDER CODE	Die Number	Alloy Temper	Length mm	Mass kg/m
811570	E12097	6005A T5	5400	9.615



Scale
shown at 75%
of actual size

transport sections continued...

ORDER CODE	Die Number	Alloy Temper	Length mm	Mass kg/m
811576	E12095	6005A T5	7300	6.691

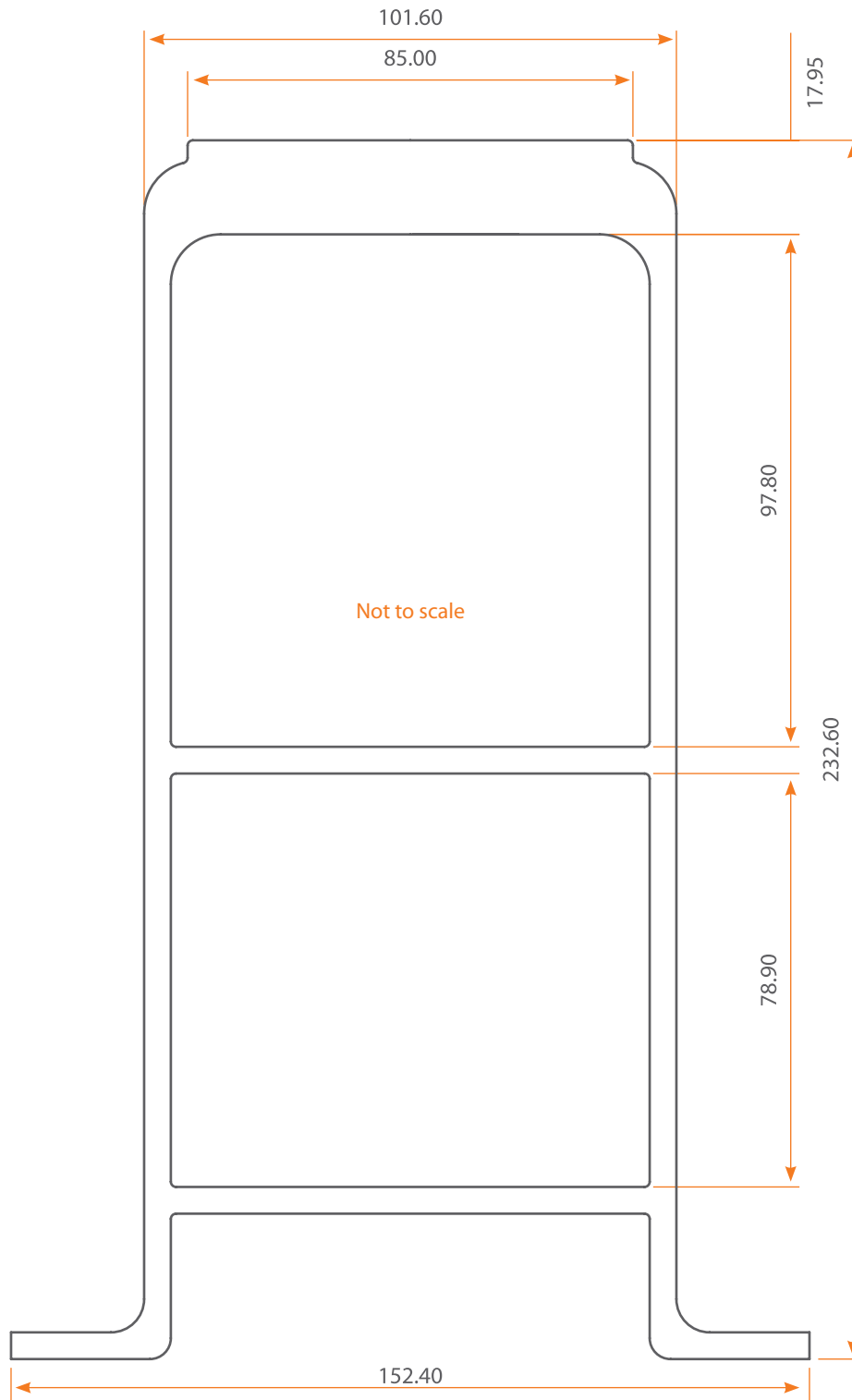


EXTRUDED PRODUCTS

Scale
shown at 75%
of actual size

transport sections continued...

ORDER CODE	Die Number	Alloy Temper	Length mm	Mass kg/m
811572	E12096	6005A T5	7300	13.894



EXTRUDED PRODUCTS

transport sections continued...

Scale shown at actual size

ORDER CODE	Die Number	Alloy Temper	Length mm	Mass kg/m	Reference
819914	E13040	6261 T6	5000	4.397	A
820428	E02311	6261 T6	5500	3.073	B

